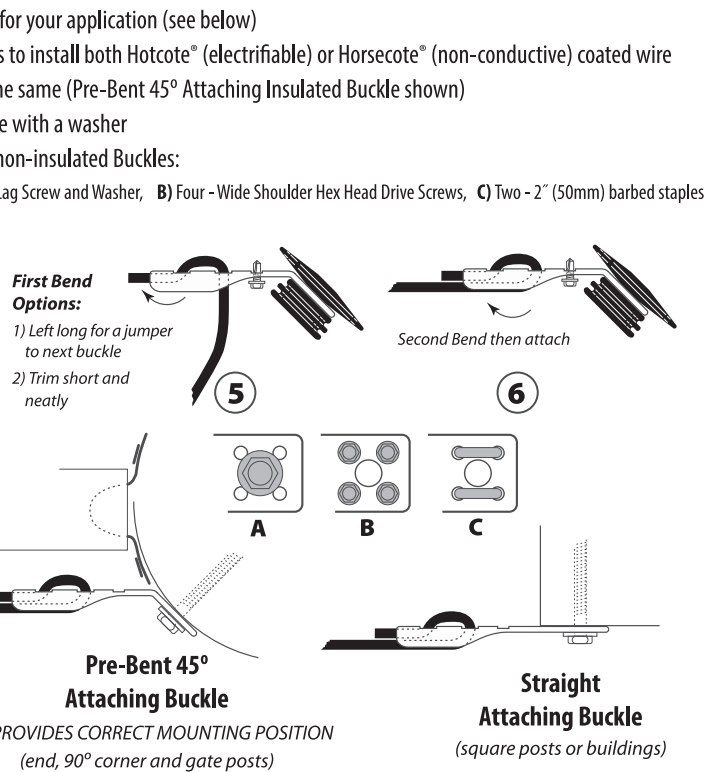
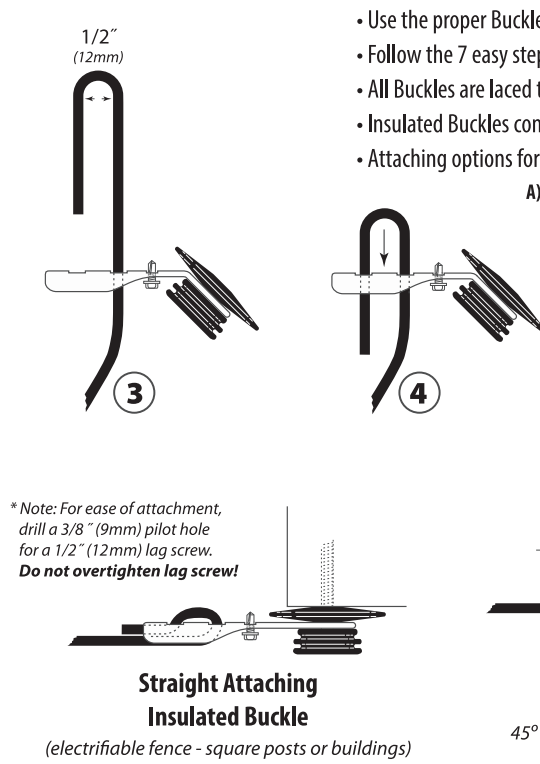
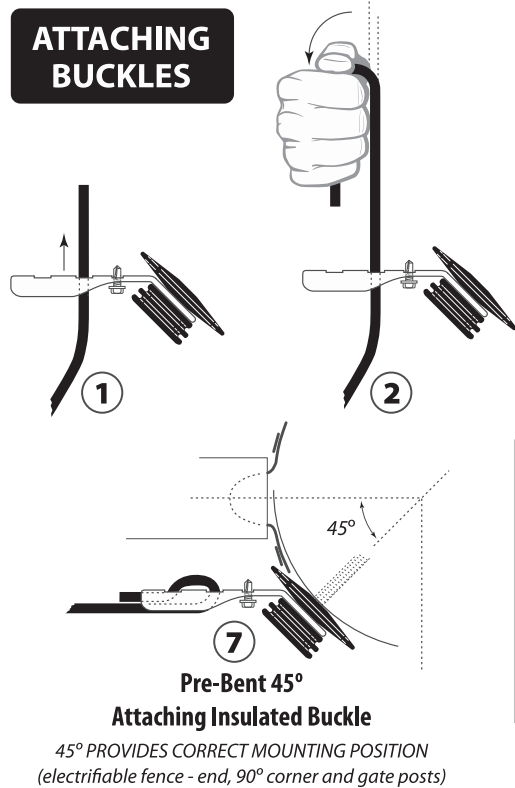


# BUCKLE INSTALLATION GUIDE COATED WIRE

## ATTACHING BUCKLES

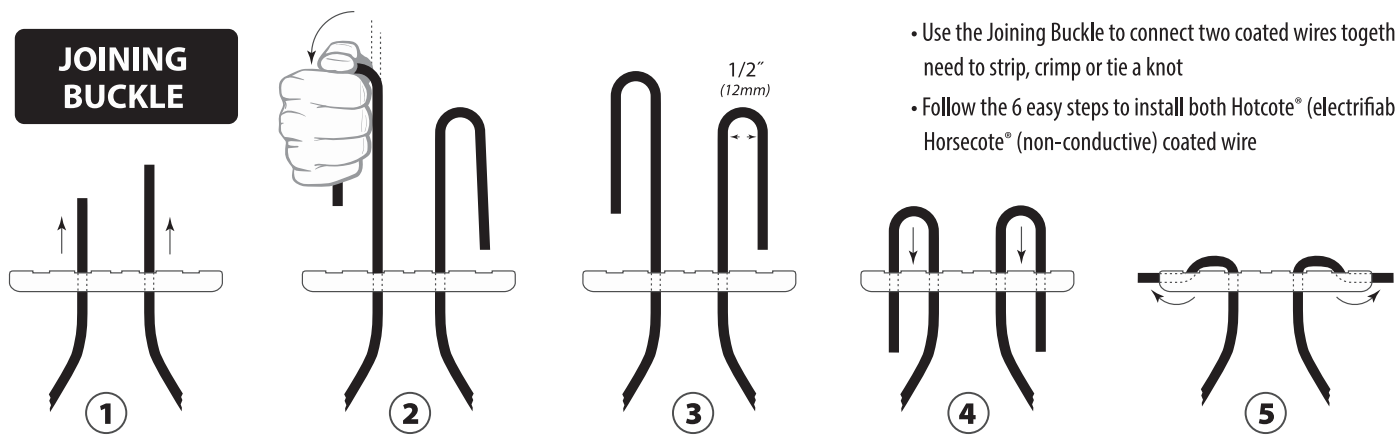


- Use the proper Buckle for your application (see below)
- Follow the 7 easy steps to install both Hotcote® (electrifiable) or Horsecote® (non-conductive) coated wire
- All Buckles are laced the same (Pre-Bent 45° Attaching Insulated Buckle shown)
- Insulated Buckles come with a washer
- Attaching options for non-insulated Buckles:  
A) Lag Screw and Washer, B) Four - Wide Shoulder Hex Head Drive Screws, C) Two - 2" (50mm) barbed staples

\* Note: For ease of attachment, drill a 3/8" (9mm) pilot hole for a 1/2" (12mm) lag screw. Do not overtighten lag screw!

## DO NOT OVERTIGHTEN LAG SCREW

## JOINING BUCKLE



- Use the Joining Buckle to connect two coated wires together without the need to strip, crimp or tie a knot
- Follow the 6 easy steps to install both Hotcote® (electrifiable) or Horsecote® (non-conductive) coated wire

WARNING: Only for use with low-impedance electric fence energizers!  
Always use an adequate number of electric fence warning signs and make sure to attach them securely.  
It's essential to keep fence line clear of all debris. Please do not burn!

## SAFETY FIRST: USE SAFETY EYE GLASSES AND GLOVES.

Copyright © 2021 John Wall, Inc. All Rights Reserved.  
Horserail®, Hottop®, Hottop Plus®, Horsecote®, Hotcote®, and Safe-T-Brace Cable® are registered U.S. trademarks of John Wall, Inc.  
Please visit [horserrail.com](http://horserrail.com) for a complete list of trademark and patent information.

